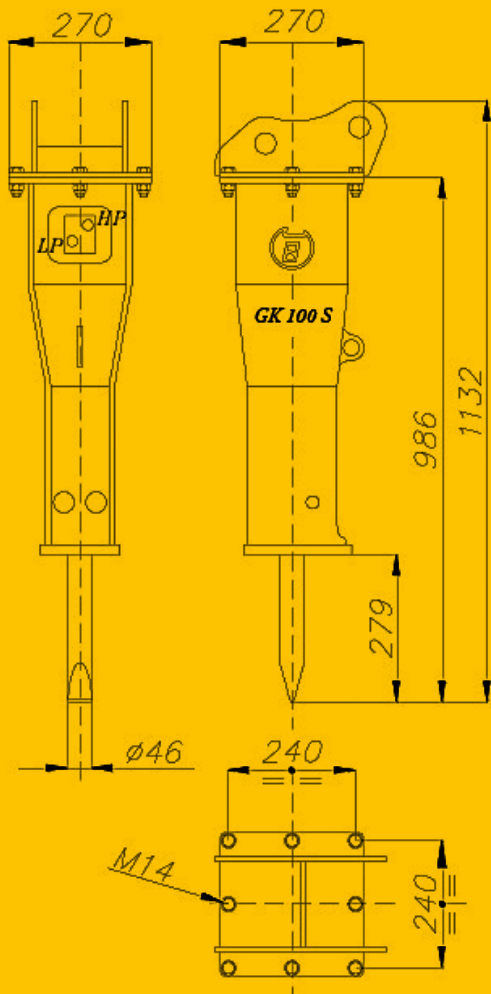




# Italdem®



## GK-100 S HYDRAULIC BREAKER

OPERATING WEIGHT	105 KG
TOOL DIAMETER	46 MM
OIL FLOW	15÷30 L/MIN
WORKING PRESSURE	95÷105 BAR
RELIEF VALVE	140 BAR
MAX BACKPRESSURE	12 BAR
BLOW ENERGY	200 JOULE
REQUIRED POWER	7 HP
IMPACT RATE	700÷1350
CARRIER WEIGHT	1÷3 TON
MAX NOISE LEVEL (SILENCED)	93 DB-A
INNER DIAMETER HP LINE	16 MM
INNER DIAMETER LP LINE	20 MM

[www.italdem.com](http://www.italdem.com)