



# Snowplow

LN



## Technical Specification



**Snowplow** to remove snow from roads, yards and squares.

**Anti-shock trip device** acting on the blade with spring loaded section.

**Hydraulic swing control**,  $\pm 30^\circ$  Right or Left.

**Floating tilt**  $\pm 10^\circ$  with spring loaded repositioning to central position for best ground copying even on

different gradient between machine and plow.





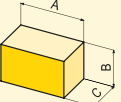
**Blade** made by anti wear steel bolted on its seat.

**Wear blade by Vulkollan** on request suitable to prevent ground damage.

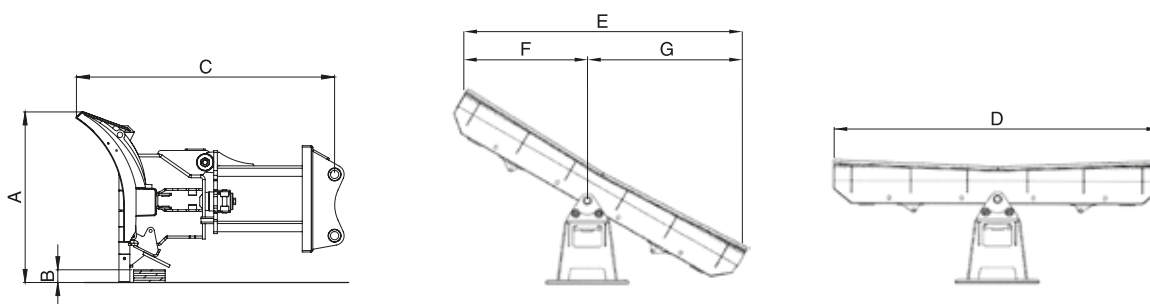
**Lights kit** (on request for mod. LN 16.70/LN 18.70/ LN 21.70/LN 24.70/ LN 24.80/LN 27.80).

**Mechanical floating system** (on request).

# Snowplow

MODEL		LN 16.70	LN 18.70	LN 21.70	LN 24.70	LN 24.80	LN 27.80	LN 26.100	LN 28.100	LN 30.100	LN 32.100	LN 34.100	
<b>Technical specification</b>	um												
Blade width D	mm	1600	1820	2100	2400	2400	2700	2600	2800	3060	3260	3400	
Blade height A	mm	700				800			1000				
Max oil pressure	bar	240											
Weight	kg	300	310	325	340	460	480	785	800	890	915	980	
Max kerb B	mm	120				130			140				
C	mm	900				1150			1400				
E	mm	1390	1580	1820	2080	2080	2340	2250	2420	2650	2825	3000	
F	mm	590	690	820	940	915	1045	1035	1100	1180	1265	1450	
G	mm	800	890	1000	1140	1165	1295	1215	1320	1470	1560	1750	
Floating tilt with spring		± 10°											
Rh and Lh hydraulic blade swing		± 35°											
	ton	1,3-2,0	1,6-2,2	2,0-2,8	2,6-3,4	3,0-4,2	3,8-5,2	–	–	–	–	–	
	ton	1,8-2,6	2,4-3,0	2,9-4,2	3,5-4,8	3,8-4,4	4,2-5,4	5,2-6,8	5,6-7,0	6,4-8,2	7,7-8,8	7,5-12,0	
	ton	–	3,0-3,8	3,2-4,4	3,8-5,0	4,2-5,4	4,8-5,8	5,6-7,0	6,5-7,8	7,0-8,6	7,4-9,0	8,0-10,0	
	ton	–	–	–	–	4,6-5,6	4,8-6,5	5,0-7,0	5,5-7,5	6,8-8,5	7,0-9,0	7,5-12,0	
	Overall size in standard configuration	A cm B cm C cm	160 70 99	182 70 99	210 70 99	240 70 99	240 80 115	270 80 115	260 100 140	280 100 140	306 100 140	326 100 140	340 100 140

## WORKING DIMENSIONS



### Position lights kit

On request for mod. LN16.70/LN18.70/LN21.70/LN24.70/LN24.80/LN27.80  
Standard for mod. LN26.100/LN28.100/LN30.100/LN32.100

## ACCESSORIES FOR OPERATING MACHINES



Via E. Mattei, 4 - 48012 Bagnacavallo RA - Italy  
tel +39 0545 62712 fax +39 0545 62140  
info@gfgordini.com - www.gfgordini.com

YOUR BEST CHOICE SINCE 1985.

