



Snow V blade

VB



Technical Specification



Snowplow to remove snow from roads, yards and squares.

Anti-shock trip device acting on the blade with spring loaded section.

Hydraulic swing control, $\pm 35^\circ$ Right or Left with **independent movement** of 2 sides.

Floating tilt $\pm 10^\circ$ with spring loaded repositioning

to central position for best ground copying even on different gradient between machine and plow.





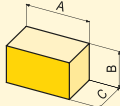
Blade made by **anti wear steel** bolted on its seat.

Wear blade by Vulkollan on request suitable to prevent ground damage.

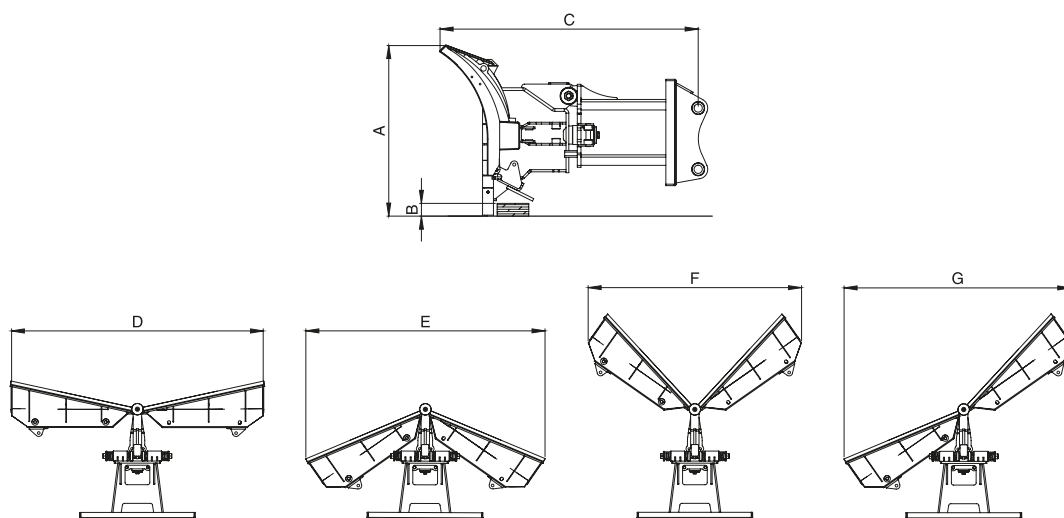
Lights kit on request.

Mechanical floating system (on request).

Snow V blade

| MODEL | | VB 180 | VB 210 | VB 240 | VB 270 | VB 280 | VB 300 | VB 320 | |
|---|--|---------|---------|---------|---------|---------|---------|---------|-----|
| Technical specification | um | | | | | | | | |
| Working width, aligned blades D | mm | 1800 | 2100 | 2400 | 2700 | 2800 | 3060 | 3260 | |
| Working width, angled blades E F G | mm | 1490 | 1730 | 1990 | 2230 | 2260 | 2450 | 2635 | |
| | Blades height A | 750 | | 940 | | 1015 | | | |
| | Max oil pressure | 240 | | | | | | | |
| Weight standard configuration | kg | 360 | 400 | 580 | 620 | 710 | 760 | 810 | |
| Max kerb B | mm | 120 | | 130 | | 140 | | | |
| | C | 1210 | | 1430 | | 1450 | | | |
| Floating tilt with spring | | ± 10° | | | | | | | |
| Hydraulic angle control | mm | ± 35° | | | | | | | |
|  | ton | 1,6-2,2 | 2,0-3,2 | 3,0-4,2 | 3,8-4,8 | – | – | – | |
|  | ton | 2,0-3,0 | 2,9-4,2 | 3,8-4,8 | 4,2-5,4 | 5,2-7,0 | 6,4-8,2 | 7,6-8,8 | |
|  | ton | 3,0-3,8 | 3,2-4,6 | 4,2-5,4 | 4,8-5,8 | 5,6-7,8 | 7,0-8,6 | 7,4-9,0 | |
|  | ton | – | 4,0-5,0 | 4,4-5,4 | 4,8-5,8 | 5,2-6,8 | 5,8-8,0 | 6,8-9,0 | |
|  | Overall size in standard configuration | A cm | 180 | 210 | 240 | 270 | 280 | 306 | 326 |
| | | B cm | 75 | 75 | 94 | 97 | 102 | 102 | 102 |
| | | C cm | 112 | 112 | 133 | 133 | 135 | 135 | 135 |

WORKING DIMENSIONS



Position lights kit

On request for mod. VB180 / VB210 / VB240 / VB270
Standard for mod. VB280 / VB300 / VB320

ACCESSORIES FOR OPERATING MACHINES



Via E. Mattei, 4 - 48012 Bagnacavallo RA - Italy
tel +39 0545 62712 fax +39 0545 62140
info@gfgordini.com - www.gfgordini.com

YOUR BEST CHOICE SINCE 1985.

