



Pallet fork

PF

**Pallet fork
for Loader and
backhoe Loader**



**Pallet fork
for Skid-Steer Loader**






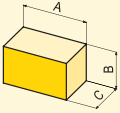
Technical Specification



Pallet forks, for Skid-Steer Loader, Loader or Backhoe Loader with manual side shift frame and protection grid (only in Skid-Steer Loader model)

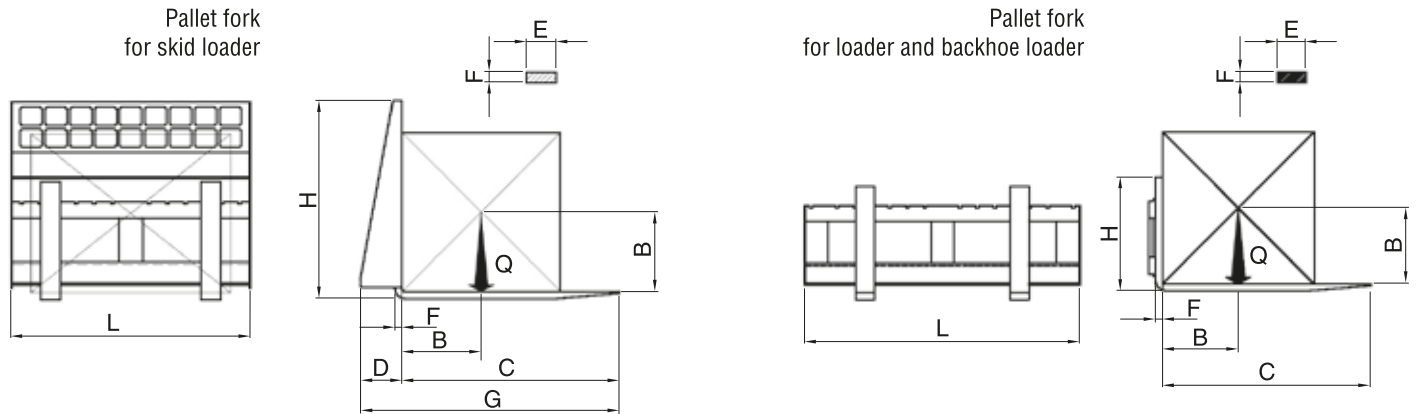
2 high lifting capacity forks manual with manual side shift.

Pallet fork

		Skid - Steer Loader				Loader and Backhoe Loader		
MODEL		PF 100	PF 120	PF 130	PF 150	PF 250	PF 450	
Technical specification	um							
Max lifting capacity ⁽¹⁾ Q	kg	1000		1800	2500	2500	4500	
Weight standard configuration	kg	120	145	185	230	260	380	
Forks section ExF	mm	80x30		100x35	100x40	100x40	120x50	
Forks length C	mm	1000		1100	1200	1200		
Frame width L	mm	1000	1200	1300	1500	1500		
Frame height H	mm	900	950			450	540	
Center of gravity B	mm	500				500		
	ton	1,3-1,6	1,6-2,6	2,6-3,5	3,4-4,8	–	–	
	ton	–	1,5-3,0	2,8-4,0	4,0-6,2	4,0-6,2	6,0-12,0	
	ton	–	2,0-3,4	3,0-4,6	4,5-6,5	4,5-6,5	6,2-9,0	
	Overall size in standard configuration	A cm	100	120	130	150	150	
		B cm	90	95	95	95	54	54
		C cm	110	121	131	141	124	125

⁽¹⁾ Maximum lifting capacity "Q" is for load centre of gravity in central position between the forks.

WORKING DIMENSIONS



ACCESSORIES FOR OPERATING MACHINES



Via E. Mattei, 4 - 48012 Bagnacavallo RA - Italy
tel + 39 0545 62712 fax +39 0545 62140
info@gfgordini.com - www.gfgordini.com

YOUR BEST CHOICE SINCE 1985.

