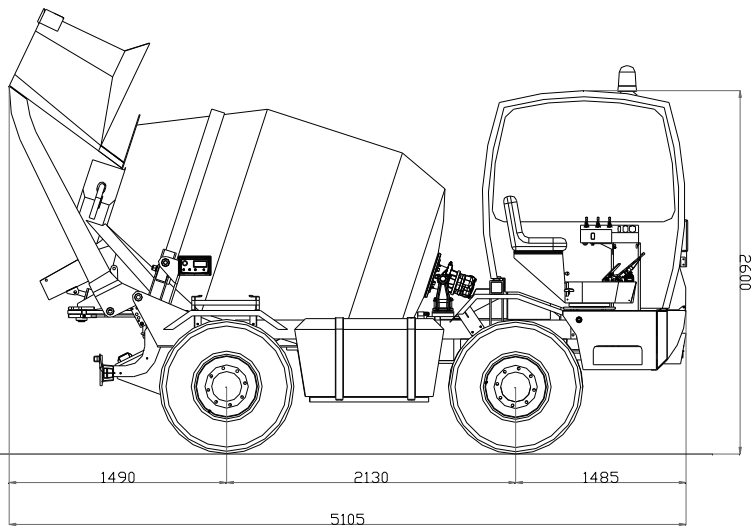
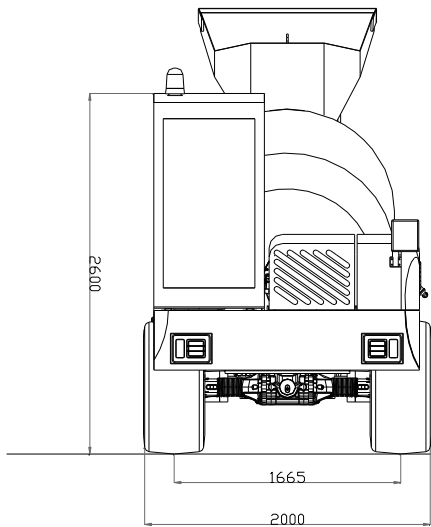


LOW BOY LB30



DATI TECNICI
TECHNICAL DATA
DONNÉES TECHNIQUES
DATOS TECNICOS
ТЕХНИЧЕСКИЕ ДАННЫЕ



LOW BOY LB30

DESCRIPTION (UNI 10929:2011) Self loading concrete mixer – Concrete net output 2,8 m³ (3.7 cubic yards) class S1 – Rear loading / unloading – N.4 wheel steering/drive – Loading by rigid bucket

ENGINE Diesel 4 stroke - 4 cylinders - Turbo – Water Cooled – Dry air filter – Max Power 62kW@2.500 - Conformity USA EPA Tier 3 - EU STAGE IIIA

TRANSMISSION 4x4 Hydrostatic (“Air cooled with oil heat exchanger”) powered by variable deliver pump and dual displacement hydraulic motor controlled by an electro-hydraulic selector lever producing a high-low ratio in both forward and reverse – Max speed 35 Km/H (22 mph) - Inching Pedal

AXLES over-sized load bearing with final epicyclical gearing reducers – Oscillating front axle at 10° - Fixed rear axle

ELECTRICAL SYSTEM Starter 12 V/3 kW - Alternator 12V 90A with regulator incorporated - Battery 12 V/110 Ah

BRAKES inner in-oil power disc brakes acting on all four wheels with power supplied by a twin circuit independent pump - Hydraulic inner in-oil power disc parking brake acts directly on rear axle – Emergency brake incorporated directly on service brake

FRAME Electrically Welded High-tempered steel - Control of the hydraulic lifting of drum cylinder by double effect – Very capable hopper - Chute with hydraulic tilt and dual action cylinder controlled both from Operator’s Turret or from the ground independently from Drum Tilt – Manual 180° chute rotation.

STEERING Hydrostatic (Orbital Type) fed by an independent pump - Four steering wheel by means of double action twin cylinders - Steering Selector Device on Operator’s Console for: Front Wheel Drive, 4 Wheel Bi-Lateral Drive, 4 Wheel Parallel Drive – Min. internal radius of wheels 1.950 mm

BUCKET Loading arm with fixed high pendant dumping bucket for fast and hassle free discharge of aggregates - Cap. 600Lt (158 gals.) – Loader Arms with 2 lifting cylinders and dual return action - Single lever control

WATER SYSTEM With self-priming volumetric pump with rapid suction system activated by hydraulic motor - Delivery 500Lt/min. (132 gals.) - Max Pressure 2.2 bar – Dual Standard Water tanks approx. 500 Lt (132 gals) – Two multi-positioned taps and valve ball connected directly to the washing nozzle - Quick connect/disconnect intake hoses – Electronic Water meter

OPERATOR’S TURRET rotating, mounted on ball-bearing swivel ring - adjustable anatomically designed seat with springy suspension ergonomically shaped – Wide visibility both during transfer and work – Steering column thermoformed with electronic display instrumentation easily accessible and readable - 2 sided enclosed cab (optional : cab with total enclosure) with large high visibility windshield and wiper

HYDRAULIC SYSTEM 3 Component Hydraulic Distributor - Variable cylindered pump and piston for rotation drive of drum 34Lt @ 1000 RPM - Geared pump for utilities 26Lt @ 1000 RPM – Geared pump of 20Lt@1000 RPM for power steering and brakes - Hydrostatic circuit filter (intake) 10 microns; Nr 2 Hydraulic Circuit filters (intake) 25 microns

DRUM double spiral mixing blade drum with emergency manhole – Drum rotation by variable displacement hydrostatic pump and electrohydraulic infinitesimal command from operator’s seat (optional : ground command) – Hydrostatic motor linked to the gearmotor – Geometric volume approx.. 3700 Lt - Max Concrete Yield 2,8 mc (3.7 cubic yards) - Drum Speed 27 RPM - Hydraulic telescopic hoisting cylinder for an easy and quick discharge of cement.

GROUND COMMANDS availability from the ground of water meter and controls for operating the water pump, drum rotation, up/down drain and emergency stop

TIRES Std 12.5/80-18 16 PR

DIMENSIONS 2.000 (78.8 inches) x6.110 (240.73 inches) x2.600 mm (102.44 inches)
(bucket down)

WEIGHT on road 4.900 kg (10.802 lbs)

MEETS CEE road standards

**THE RIGHT CONCRETE.
RIGHT NOW**



I - 80031 Brusciano (Na)
Tel. +39 0816588361
www.davinomixer.com - info@davinogroup.com