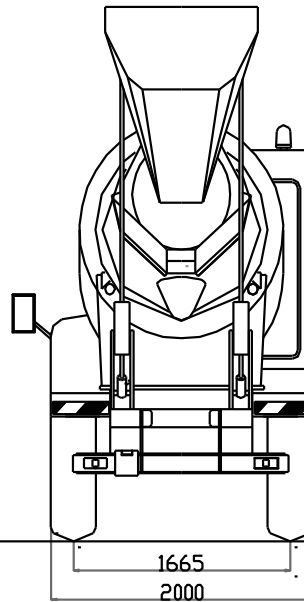
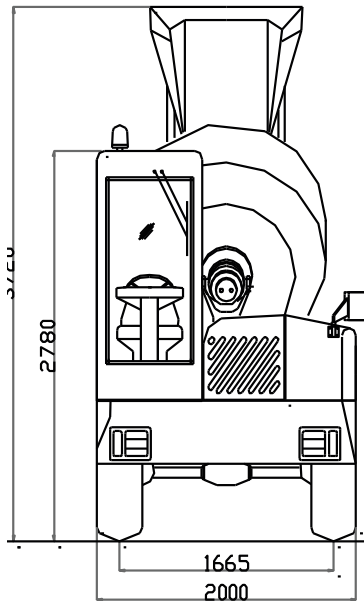
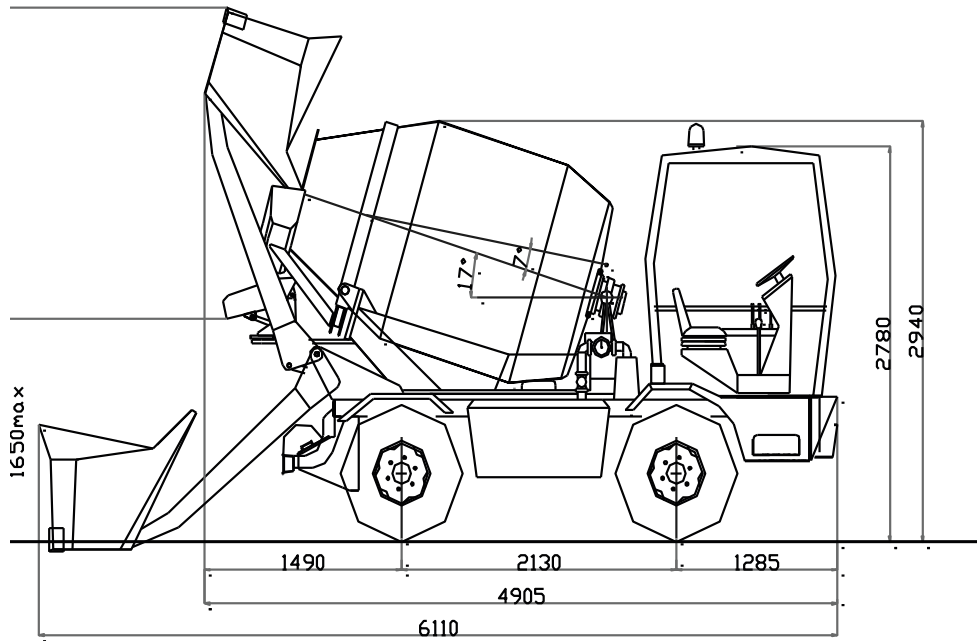


MASTER 440.2



DATI TECNICI
TECHNICAL DATA
DONNÉES TECHNIQUES
DATOS TECNICOS
ТЕХНИЧЕСКИЕ ДАННЫЕ



MASTER 440.2

DESCRIPTION (UNI 10929:2011) Self loading concrete mixer – Concrete net output 2,6 m³ (3,40 cubic yards) class S1 – Rear loading – Trilateral unloading (slewing 180°) - N.4 wheel steering/drive – Loading by rigid bucket

ENGINE 4 stroke 4 cylinder Turbo Diesel – Water Cooled –Dry Air Filter–Max Power 61kW @ 2.500 – Conformity USA EPA Tier 3/EU STAGE IIIA

TRANSMISSION 4x4 Hydrostatic (“Air cooled with oil heat exchanger”) powered by variable deliver pump and dual displacement hydraulic motor controlled by an electro-hydraulic selector lever producing a high-low ratio in both forward and reverse – Max speed 35 Km/H (22 mph) - Inching Pedal.

AXLES over-sized load bearing with final epicyclic gearing reducers – Front axle able to oscillate at 10° - Fixed rear axle .

ELECTRICAL SYSTEM Starter 12V- 3 kW. Alternator 12V 95A with regulator incorporated. Battery 12V 110Ah (900A).

BRAKES inner in-oil power disc brakes acting on all four wheels with power supplied by a twin circuit independent pump – Hydraulic inner in-oil power disc parking brake acts directly on rear axle – Emergency brake incorporated directly on service brake.

STEERING Hydrostatic (Orbital Type) fed by an independent pump controlled by steering wheel - Four wheel steering by means of double action twin cylinders- Steering Selector Device on Operator’s Console for: Front Wheel Drive, 4 Wheel Bi-Lateral Drive, 4 Wheel Parallel Drive.

FRAME Electrically Welded High-tempered steel - Frame mounted on roller bearing swivel ring with 180° hydraulic rotation - Automatic and negative mechanical Stop/Block – Control of the hydraulic lifting of drum cylinder by double effect Chute with hydraulic tilt and dual action cylinder controlled both from Operator’s Turret or from the ground which is independent from Drum Tilt – Manual 180° chute rotation

BUCKET Loading arm with fixed high pendant dumping bucket for fast and hassle free discharge of aggregates - Cap. 600Lt (158 gals.) – Loader Arms with 2 lifting cylinders and dual return action – Six loading shovel - Single lever control

WATER SYSTEM Rapid Intake Positive Displacement Water Pump with “Self-Priming” Rotor, controlled by both the driver’s seat from the ground – Delivery 500Lt/min. (132 gals.) - Max Pressure 2.2 bar – Dual Standard Water tanks approx. 550Lt (145 gals)– Two mul-

ti-position taps for water delivery to mixing drum - Alternate Water Intake capabilities with quick disconnect hoses and filter- cleaning hose – Electronic water meter - Emergency stop from ground

Operator’s Turret rotating, mounted on ball-bearing swivel ring - adjustable anatomically designed seat with springy suspension ergonomically shaped for easy access to controls – Steering column thermoformed with electronic display instrumentation easily accessible and readable - User friendly dashboards and control panels- 3 sided enclosed cab (optional : cab with total closure) with large high visibility windshield and wiper

HYDRAULIC SYSTEM 3 Component Hydraulic Distributor - Variable cylindered pump and piston for rotation drive of drum 34Lt @ 1000 RPM – Geared pump for utilities 26Lt @ 1000 RPM – Geared pump for power steering 6Lt @ 1000 RPM – Max pressure 250 bar – Hydrostatic circuit filter (intake) 10 microns; Nr 2 Hydraulic Circuit filters (intake) 25 microns.

DRUM Trilateral discharging, double spiral mixing blade drum with emergency manhole, double cone and convex – Hydrostatic motor-gear and variable delivery pump controlled by an infinitesimal toggle switch on the control panel for mix/discharge operations (optional remote control) – Electro-hydraulic command both from the operator’s turret or from ground - Hydraulic telescopic drum lift- Geometric volume approx.. 3700 Lt (976 gals) - Max Concrete Yield 2,6 mc (3.40 cubic yards) – Drum Speed 27 RPM in both directions – Drum flexible to 180° - Hydraulic telescopic hoisting cylinder for easy and quickly discharge of cement

Ground commands availability from the ground of water meter and controls for operating the water pump, drum rotation, up/down drain and emergency stop

Dimensions (Bucket Down) L-6110 mm (240.73 inches). W-2000 mm (78.8 inches). H-2940 mm (115.84 inches).

Weight 5500 kg (12,125 lbs.) -Tires 12.5/80-18 16 PR - Meets CEE road standards

**THE RIGHT CONCRETE.
RIGHT NOW**



I - 80031 Brusciano (Na)
Tel. +39 0816588361
www.davinomixer.com - info@davinogroup.com